

New LED
tripID™
Option

High Amperage — 25 to 200 AMP
Type I & III Vehicle Protection
Waterproof/Ignition-Protected
SAE & ABYC Compliant



Series 17

Raising the Bar
MP—Count on it



Series 17 Overview

The Series 17 features:

- 48 VDC maximum for **25 - 150 Amp**
- 30 VDC maximum for **175 - 200 Amp**
- Trip-free operation
- Standard Terminations in Surface and Panel Mount (S0 and P0)
- **NEW** Easy Access Terminations for Surface and Panel Mount (S1, S3, P1,)

Single Pole Thermal Circuit Breakers

- Auto, manual, or switching option
- Visible trip indication
- Available with 1/4" and **NEW** 3/8" Stainless Steel Terminal Studs and Sems Nuts
- Waterproof
- Ignition-protected
- Improved Robust Design

Series 17 Specifications

Standard Amp Ratings

The Series 17 is available in ratings of 25, 30, 35, 40, 50, 60, 70, 80, 90, 100, 110, 120, 135, 150, **175 and 200** amps.

Maximum Voltage Ratings

Type III: 48 VDC (25 -150A); 30 VDC (175 - 200A)

Type I: 30 VDC (auto-reset)

Ultimate Trip

Must Hold 100% at 25°C/77°F.

Must Trip at 135% within 1 hour.

Dielectric Strength

1,500VAC Minimum

Interrupt Capacity (25 - 150A), up to

2,500A @ 14VDC (Type III)

1,500A @ 48VDC (Type III)

3,000A @ 30VDC (Type I)

Interrupt Capacity (175 - 200A)

2,500A @ 14VDC (Type III)

1,500A @ 30VDC (Type I and Type III)

Endurance (25 - 150A)

14VDC @ 100 cycles, 6X rating (Type I & Type III)

28VDC @ 100 cycles, 2X rating (Type III)

30VDC @ 100 cycles, 2X rating (Type I)

48VDC @ 50 cycles, 1.5X rating (Type III)

Endurance (175 - 200A)

14VDC @ 100 cycles, 6X rating (Type I, Type III 175A)

14VDC @ 50 cycles, 4X rating (Type III 200 A)

28VDC @ 50 cycles, 2X rating (Type III)

30VDC @ 100 cycles, 2X rating (Type I)

Operating Temperature Range

-40°C/-40°F to 85°C/185°F

Weight

Panel Mount: 3.1 oz. (88 gm.)

Surface Mount: 4.0 oz. (114 gm.)

Environmental

Ignition Protected

Compliant to SAE J1171

Ingress Protection

IP67 dust and waterproof rated—protection against immersion up to 1 meter of water for 30 minutes.

Corrosion

Conforms to Mil-STD-202, Method 101, Test Condition A, for 96 hours under a 5% salt spray.

Humidity

Conforms to Mil-STD-202, Method 106, for 240 hours at 95% RH.

Shock

Rated to withstand 100g per Mil-STD-202, Method 213, Test Condition A.

Vibration

Rated to withstand 10g per Mil-STD-204, Test Condition A.

Regulatory Compliance Summary

Interrupt Capacity: SAE J1625, ABYC-E11, UL1077*

Ignition Protected: SAE J1171

Endurance: SAE J1625

Dielectric Strength: UL1077*

Shock, Vibration, Corrosion, Humidity: Mil-STD-202

Dust and Waterproof: IP67

*tested per UL1077 methods

Typical Overload Trip Time Data (in seconds)

Current Rating	200%	400%	600%	800 %	1000%
25-200 Amps	10-40	0.6-7.0	0.2-3.0	0.15- 2.0	0.09-1.2

Typical Ambient Temperature Correction Factor

Current Rating	°F	-40	0	50	77	150	200
	°C	-40	-18	10	25	65	93
25-200 Amps		0.80	0.84	0.87	1.00	1.22	1.47

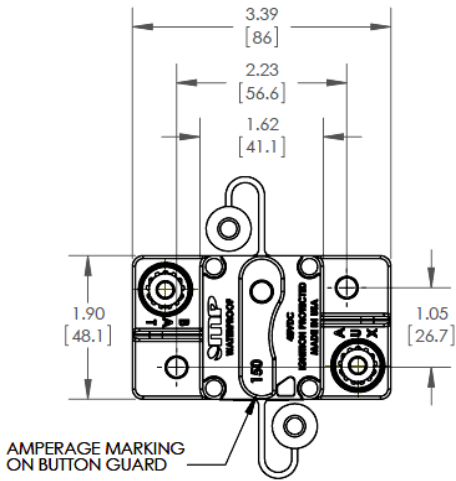
Specifications Subject To Change

**Mechanical
Products
Company**

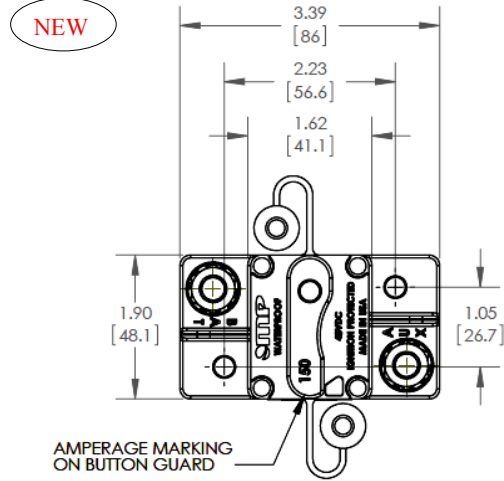
1112 N. Garfield
Lombard, Illinois 60148
phone 630 | 953 | 4100
fax 630 | 953 | 4110
www.mechprod.com
helpme@mechprod.com



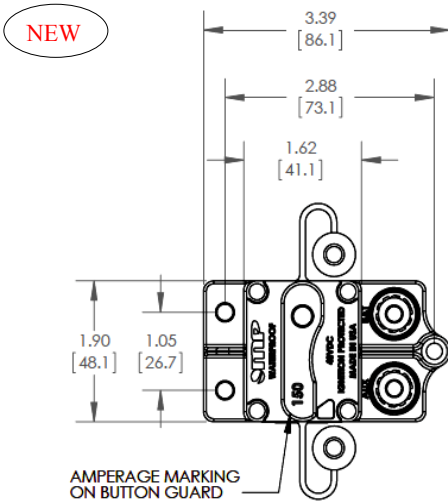
S0 Standard Surface Mount
1/4" Diameter Stud Terminals



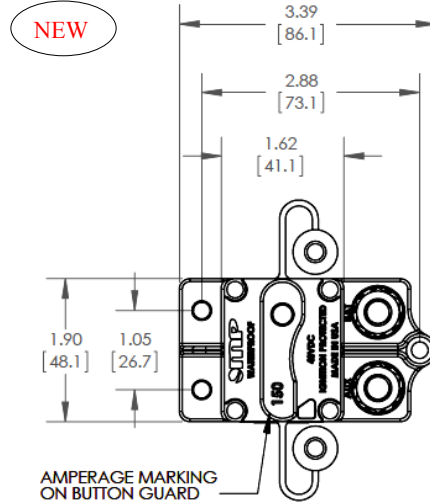
S2 NEW Surface Mount
3/8" Diameter Stud Terminals



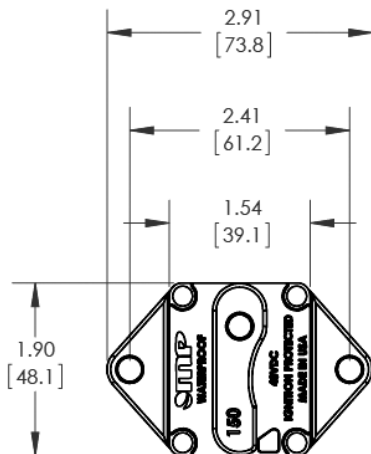
S1 Easy Access Side By Side Surface Mount
1/4" Diameter Stud Terminals



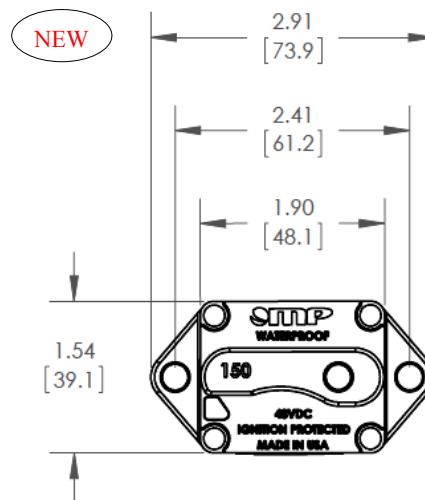
S3 Easy Access Side By Side Surface Mount
3/8" Diameter Stud Terminals



P0 Standard Panel Mount
1/4" Diameter Stud Terminals



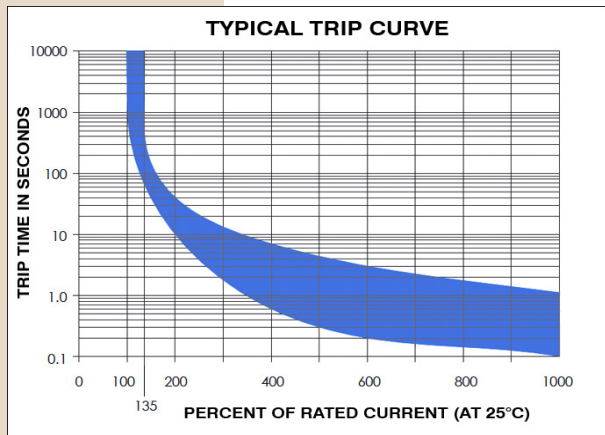
P1 Easy Access 90° Panel Mount
1/4" Diameter Stud Terminals



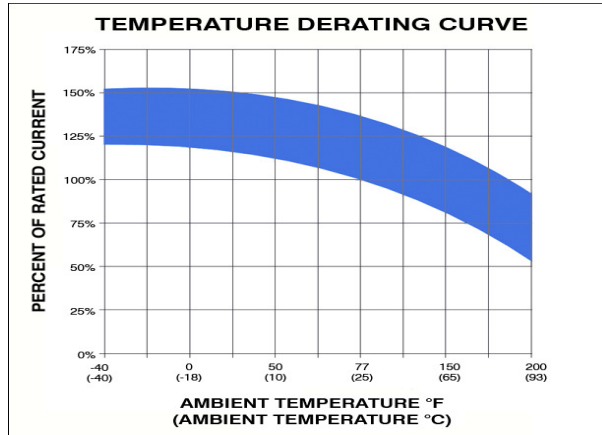
**Mechanical
Products
Company**

1112 N. Garfield
Lombard, Illinois 60148
phone 630 | 953 | 4100
fax 630 | 953 | 4110
www.mechprod.com
helpme@mechprod.com

Series 17 Typical Trip Curve

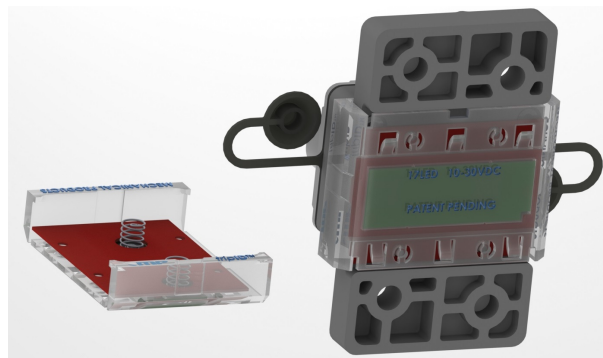


Series 17 Derating Curve



Series 17 Typical High Amp Applications

- Heavy Trucks
- Motorhomes
- Marine
- Battery Chargers
- Wheelchair Lifts
- Buses
- Earth-moving Equipment
- Harsh Environments
- Engine Compartments
- Mining Equipment



MP P/N: 17LED-R*
(Sold Separately or Assembled)

Rear Surface Mount Breaker w/17LED-R Snap-On *tripID*™

Series 17 Part Numbering Guide

P/N: 17 - - -

Series Number

17 = Series 17 Circuit Protector

Vehicle Protection

- 1 = Type I Auto Reset
- 4 = Type III Manual Reset
- 5 = Type III Manual Push To Trip Reset

Special Options

Blank = None
L = 17LED-R Assembled
(S0, S1, S2 & S3 Models Only)

Hardware

- 0 = No Hardware
- 1 = Stainless Steel Sems Nuts (Bulk)
- 2 = Stainless Steel Sems Nuts (Installed)

Amp Rating

025 - 200 = 25 to 200A



Mounting Options / Configurations

Surface Mount

- S0 = Standard Surface Mount with 1/4" Dia. Stud Terminals
- S1 = Side By Side Surface Mount with 1/4" Dia. Stud Terminals
- S2 = Standard Surface Mount with 3/8" Dia. Stud Terminals
- S3 = Side By Side Surface Mount with 3/8" Dia. Stud Terminals

Panel Mount

- P0 = Standard Panel Mount with 1/4" Dia. Stud Terminals
- P1 = 90° Panel Mount with 1/4" Dia. Stud Terminals

**Mechanical
Products
Company**

1112 N. Garfield
Lombard, Illinois 60148
phone 630 | 953 | 4100
fax 630 | 953 | 4110
www.mechprod.com
helpme@mechprod.com

